



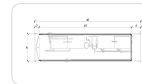
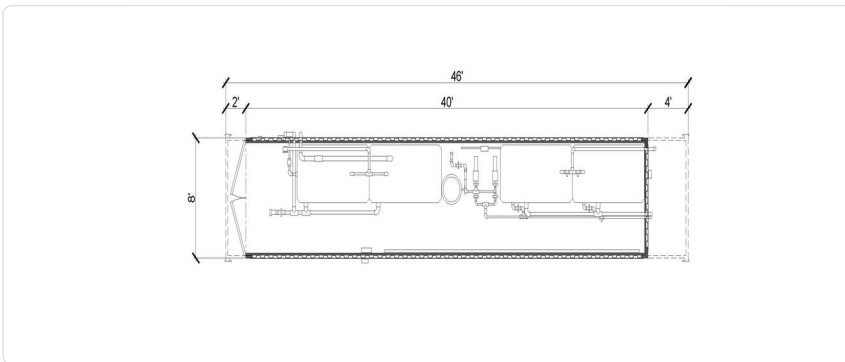
2,500G WATER & SEWAGE COMBO TANK

AB|SK|MB

MODEL# WSCT2500GCA

- Water pumped at up to 22 gpm
- Two 16" access lids to sewage tank
- Two sewage inlets and outlets
- Water & Sewage tanks
- Heat traced tanks
- Double doors on end
- High-quality exterior and interior finishes
- For rent and sale!

Stock availability may be limited and require to-be-built new construction. As-built design may vary in appearance and layout.



Prefer talking on the phone?

Give us a call.

1-888-900-2699